

Supercapacitor solar container electrical schematic diagram





Supercapacitor solar container electrical schematic diagram



Supercapacitor Solar Box : 10 Steps (with Pictures)

Solar Panel I chose a solar panel 5.5V (it gives more on direct sunshine), but 6V is OK too. It should be able to charge both supercapacitor banks up to 2.7V ...

Electrical system schematic with fuel cell stack and ...

Download scientific diagram , Electrical system schematic with fuel cell stack and supercapacitor. from publication: Using Small Capacity Fuel Cells Onboard ...



Schematic illustration of different types of supercapacitors: (a)

Download scientific diagram , Schematic illustration of different types of supercapacitors: (a) electrical double-layer capacitors (EDLCs); (b) pseudocapacitor (PCs) (M represents the metal atom

Schematic diagram of a supercapacitor system.

Thus supercapacitors are well suited for short-term storage applications but not for large-scale and long-term EES. Typical applications in power quality consist of pulse power, hold-up/bridging



power ...



Schematic diagram of the supercapacitor system. Reproduced with

In this thesis, an energy management system (EMS) is proposed for use with battery energy storage systems (BESS) in solar photovoltaic-based (PV-BESS) grid-connected microgrids and combined ...



PIC Based Solar DC Power System with Supercapacitor and ...

A Super Capacitor is an electrochemical component that will lead electrical energy storage into a new dimension. Super Capacitor cells are able to fill the gap between capacitors and batteries by ...



Supercapacitor energy storage system block diagram.

Supercapacitors are energy storage devices with high electrical power densities and long spanlife. Therefore, supercapacitor-based energy storage systems have been employed for a variety of





Using a supercapacitor for power management and energy storage ...

The supercapacitor need only be sized for the energy and power to support the peak load burst. An outdoor solar cell for higher power applications which must run when there is no light, such ...



Super Capacitor Circuit Diagram Pdf

That's why we've put together this comprehensive guide to super capacitor circuit diagrams. Included is an informative PDF that outlines and explains the components of these ...

Supercapacitor Solar Box : 10 Steps (with Pictures)

The main idea is - to make a device similar to solar powered power banks, but instead of Li-Ion batteries, use supercapacitors. It shall have a USB output, LED light and status measurement.



Energy storage system based on super capacitor

Download scientific diagram , Energy storage system based on super capacitor from publication: Mitigating power oscillations in wind power plants using ESS , It is of great significance to install



Schematic of a supercapacitor. , Download Scientific Diagram

Download scientific diagram , Schematic of a supercapacitor. from publication: Pseudocapacitors , World energy consumption has grown at a rate of knots. Economic growth, increasing prosperity and



Schematic diagram of capacitor solar container cabinet

In Fig. 9, The prototype consists of eight branch cabinets, medium-voltage side circuit cabinet, control cabinet, watercooled cabinet and two super capacitor energy storage units of slow



Super Capacitor Bank Circuit Diagram

It typically includes diagrams of the super capacitor cells, current-carrying wires, and connections between the capacitors as well as rectifiers and controllers. The various elements are ...



Understanding the Solar Energy Storage System Diagram: A ...

A detailed solar energy storage system diagram breakdown, explaining components, configurations, and design principles for achieving energy independence.





How to wire a super Capacitor into your PV solar setup ...

Digital Power Capacitor
<https://amzn.to/2QoOBdN>In this video i show the capacitor i wired into my solar set up. A cap like this one and the one below will he



Super Capacitor Electronic Circuits

Li-Ion High Peak Power Battery Buffer using Two Supercapacitors - The LTC4425 is a constant-current/constant-voltage linear charger designed to charge a 2-cell supercap stack from ...

Schematic view of a super capacitor A super capacitor ...

Download scientific diagram , Schematic view of a super capacitor A super capacitor largely is subject to the same physics as a standard capacitor. That is, ...



Photovoltaic hybrid system with supercapacitor. [13]

Download scientific diagram , Photovoltaic hybrid system with supercapacitor. [13] from publication: The performance of a solar PV system using supercapacitor ...



Supercapacitor Circuit Design

Supercapacitors find their place in the world of IoT and embedded electronics. They are employed for energy harvesting from sources like solar panels or kinetic energy, providing a stable ...

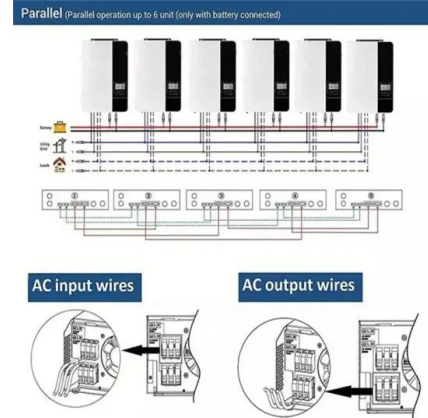


Schematic of fuel cell/battery/supercapacitor hybrid drive train.

Energy management strategies and optimal power source sizing for fuel cell/battery/supercapacitor hybrid electric vehicles (HEVs) are critical for power splitting and cost-effective sizing to

How to wire a super Capacitor into your PV solar setup to help with

Digital Power Capacitor
<https://amzn.to/2QoOBdN> In this video i show the capacitor i wired into my solar set up. A cap like this one and the one below will he



Schematic of a supercapacitor. , Download Scientific ...

Download scientific diagram , Schematic of a supercapacitor. from publication: Pseudocapacitors , World energy consumption has grown at a rate of knots. ...



Solar energy storage supercapacitor

Supercapacitors, in particular, show promise as a means to balance the demand for power and the fluctuations in charging within solar energy systems. Supercapacitors have been introduced as ...



Contact Us

For catalog requests, pricing, or partnerships, please visit:
<https://folkowaakademiapianina.pl>