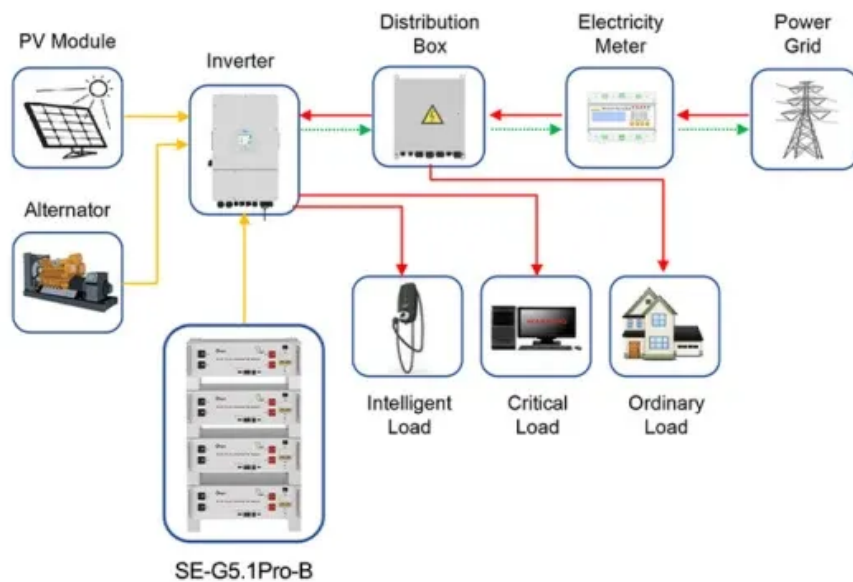


Oslo solar container 05 yuan



Application scenarios of energy storage battery products





Oslo solar container 05 yuan



OSLO CONTAINER ENERGY STORAGE

Oslo solar container new energy Take the Vulcan Project in Oslo West--this hybrid system combines solar thermal storage with phase-change materials, providing 150MW of baseload power during ...

Mobile Solar Container Project ROI in Norway: 2025 Cost Analysis

Why are Norwegian businesses rushing to deploy mobile solar container projects? With electricity prices hitting EUR0.38/kWh in Oslo and 60% tax rebates for renewable energy systems, Norway's energy ...



Container24.no

Holder du til i Oslo-området og trenger en container? Hos oss kan du kjøpe eller leie en 20f container til markedets beste priser. Fra vårt depot sentralt på Kongshavn leverer vi containere til hele det ...

Oslo Container Energy Storage Company: Powering the Future with

Ever wondered how a city known for fjords and Nobel Peace Prizes became a global energy storage hotspot? Meet Oslo Container Energy



Storage Company, the unassuming hero ...



Oslo wave solar container

As the photovoltaic (PV) industry continues to evolve, advancements in Oslo wave solar container have become critical to optimizing the utilization of renewable energy sources. From innovative battery ...



Amazon.ca : oslo solar container battery container

COHEALI Solar Light Battery Box for Hanging Lanterns Solar-Charged DIY Lamp Replacement Panel Battery Case \$925 \$5.54 delivery Dec 12, 2025 - Jan 5, 2026 Add to cart



Your Ultimate Guide to Oslo Container Energy Storage Cabinet ...

With Oslo's plan to be fossil-free by 2030, partnering with forward-thinking container energy storage cabinet suppliers isn't just smart - it's survival. The question isn't "if" but "which modular system will ...



Solar Container Market Global Forecast Report 2025-2030 , Analysis ...

Government initiatives and disaster resilience programs boost the adoption of solar containers for emission-free power. The above 50 kW segment is gaining traction for its ability to ...



YILPORT Oslo Container Terminal General Tariff

Yilport Oslo will invoice the Customer for all services carried out under this document. If the customer fails to pay in full any undisputed sum payable within 30 days of the invoice date, the amount ...

Best Foldable Solar Container for Off-Grid Power , Sunmaygo

Discover the world's leading foldable solar container with 40% higher energy density. Solarfold(TM) by Sunmaygo offers quick deployment & 70% lower costs than diesel.



OSLO ENERGY STORAGE CONTAINER PRODUCTION

Take the Vulcan Project in Oslo West--this hybrid system combines solar thermal storage with phase-change materials, providing 150MW of baseload power during Norway's darkest months.



OSLO ENERGY STORAGE CONTAINER

Take the Vulcan Project in Oslo West--this hybrid system combines solar thermal storage with phase-change materials, providing 150MW of baseload power during Norway's darkest months.



Oslo Solar Folding Container 350kW

How do foldable solar panels work? the foldable photovoltaic panels are tucked inside a mobile solar container. The mobile solar container can take up to five hours to assemble and make it operational. ...

OSLO HYDROPOWER ENERGY STORAGE PROJECT POWERING ...

The project will be constructed in two phases, with the first phase investing Yuan 3 billion to install lithium battery cells and modules BMS, PACK, Container and other production lines; The second ...



Oslo Container Energy Storage Station: Powering the Future, One

The Oslo Container Energy Storage Station isn't just another industrial project--it's Norway's cheeky answer to the global energy crisis. But who's reading about this, and why should ...



OSLO VANADIUM LIQUID FLOW ENERGY STORAGE PROJECT

The project will be constructed in two phases, with the first phase investing Yuan 3 billion to install lithium battery cells and modules BMS, PACK, Container and other production lines; The second ...



OSLO SOLAR CONTAINER POWER STATION AND HOUSING ...

Technip Energies has been awarded a large EPC contract by Hafslund Oslo Celsio, the largest supplier of district heating in Norway, for a world-first carbon capture and storage (CCS) project at waste to ...

Mobil Grid® solar container , ECOSUN innovations

The Mobil-Grid ® is an ISO-standard, CSC-approved maritime container that integrates a photovoltaic power plant, ready to be deployed and connected, with ...



YILPORT Oslo Container Terminal General Tariff

Includes administration and handling of container inside Oslo Terminal. Other related costs incurred will also be charged, such as strip/stuff of container and transport costs etc. Charged on trucking ...



Oslo energy storage subsidy 05 yuan

Specifically, when the subsidy level is 0.15 yuan/kWh, the stochastic retraction of subsidies increases the investment threshold by 22 %; the stochastic provision of subsidies



Contact Us

For catalog requests, pricing, or partnerships, please visit:
<https://folkowaakademiapianina.pl>