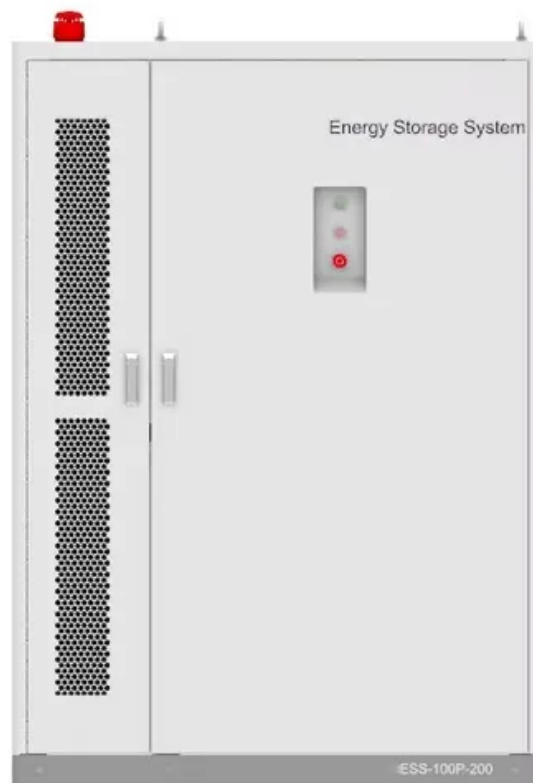


New solar container project in n djamena department of solar container science and engineering





Overview

Major projects now deploy clusters of 20+ containers creating storage farms with 100+MWh capacity at costs below \$280/kWh. A microgrid, regarded as one of the cornerstones of the future smart grid, uses distributed generations and information technology to create a widely distributed automated energy delivery network. [pdf] The global solar storage container market is experiencing explosive growth, with. Cities such as , France; , England; , , and , Germany; and , Argentina, installed such systems. In this paper, we take an energy storage battery container as the object of study and adjust the control logic of the internal fan of the battery container to make the Djermaya is the first independent power producer in Chad, as well as the first and largest utility-scale PV project in the region to. It's 45°C in N'Djamena, and a local hospital's diesel generators just sputtered out.



New solar container project in n djamena department of solar conta



n djamena energy storage container design factory operation

In July 2020, armed with a 25-year power purchase agreement, the owners of D''jermaya Solar Company advertised for qualified contractors to bid for the engineering, procurement and ...

Containerised PV Solutions

VAC Solar specialise in the design, development and construction of containerised solar PV plants. The deployment of containerised PV plants is a fast and convenient method of deploying a new system in ...



N'Djamena, Chad: Power Purchase Agreement (PPA) signed with the

The Djermaya Solar project, represented by InfraCo Africa its majority shareholder, today signed a 25-year PPA with the Ministry of Energy and the national utility, La Société Nationale ...

N Djamena Solar Power System Plant Lighting Up Chad s ...

Solar energy is transforming sub-Saharan Africa, and the N'Djamena Solar Power System Plant stands as a beacon of progress. This article explores how this renewable energy project



addresses Chad's ...



Solar projects allocated to support N'Djamena borders in Chad

Argentine corporation Alcaal Group has signed an MoU with Chad's Ministry of Finance and also Ministry of Energy for a 200MW solar PV with a battery storage element located near the ...

New Energy Storage Revolution at the Port of N'Djamena: Powering ...

a bustling African port where solar panels dance with desert winds while battery arrays hum like well-fed camels storing water for dry days. This isn't science fiction - it's the reality taking ...



n'djamena's reliable energy storage container factory

This isn't science fiction - it's the reality taking shape at the Port of N'Djamena, where new energy storage solutions are rewriting the rules of maritime operations.



N DJAMENA COMPRESSED AIR ENERGY STORAGE PROJECT

German compressed air solar container power station project Citywide compressed air energy systems for delivering mechanical power directly via compressed air have been built since 1870.



N DJAMENA ENERGY STORAGE WAREHOUSE DESIGN

The global solar storage container market is experiencing explosive growth, with demand increasing by over 200% in the past two years. Pre-fabricated containerized solutions now account for ...

N DJAMENA ENERGY STORAGE CONTAINER

The global solar storage container market is experiencing explosive growth, with demand increasing by over 200% in the past two years. Pre-fabricated containerized solutions now account for ...



Top 10kW Energy Storage Solutions for Reliable Power in N Djamena

While LFP (LiFePO4) batteries dominate 85% of African solar projects, new hybrid configurations using graphene additives show 18% better performance in rapid charge/discharge scenarios.





African Development Bank approves \$10.8M for Lamadji solar plant

The African Development Bank Group has approved funding for the Lamadji Solar Power Plant, a key renewable energy project located near N'Djamena, Chad. The project is part of the Desert to Power ...



N'Djamena Energy Storage Container: The Future of Reliable Power

Now imagine instead a sleek, shipping-container-sized system quietly keeping life-saving equipment running. That's the N'Djamena energy storage container revolution in action - and it's ...

N'Djamena Aema Solar Power Station

The N'Djamena Aema Solar Power Station is a planned 120 MW (160,000 hp) solar power plant in Chad. This renewable energy infrastructure project will be developed by Aema Power, an ...



Solar Power and Energy Storage Solutions in N Djamena Sustainable

This article explores how solar energy and storage technologies address power shortages, reduce costs, and support sustainable development in Chad's capital.



N DJAMENA ENERGY STORAGE PROJECT TENDER ...

Technological advancements are dramatically improving solar storage container performance while reducing costs. Next-generation thermal management systems maintain optimal operating ...



N DJAMENA ENERGY STORAGE CONTAINER , Solar Power Solutions

Container energy storage battery caught fire Batteries in an overseas container caught fire on June 7 at Suncycle's engineering and test center in Thuringia, Germany. According to local media reports, the ...

N Djamena Energy Storage Battery Factory

The project involves the development of solar and wind projects of up to 100 MW each to supply power to the country's capital city, N'Djamena. The project will also include a battery energy storage ...



N DJAMENA ENERGY STORAGE REGULATIONS

The global solar storage container market is experiencing explosive growth, with demand increasing by over 200% in the past two years. Pre-fabricated containerized solutions now account for ...



HYDROGEN ENERGY STORAGE N DJAMENA

The global solar storage container market is experiencing explosive growth, with demand increasing by over 200% in the past two years. Pre-fabricated containerized solutions now account for ...



N djamena solar battery storage

A contracted 32MW solar-plus-storage project just north of Chad's capital N"Djam& #233;na is one step closer to fruition after the African Development Bank (AfDB) provided it with an EUR18 million

SOLAR PROJECTS EARMARKED TO SUPPORT N"DJAMENA

In total, these solar power plants has a capacity of 225.0 MW. How much electricity is generated from solar farms each year?. Which country produces the most solar power in the world?China is the ...



Chad: PPA for Djermaya solar , African Energy

"The PPA marks a key milestone in the development of Djermaya Solar, enabling the project to raise construction financing and demonstrating the joint commitment of all parties to ...



Djermaya Solar PV Park, Chad

Djermaya Solar PV Park is a 60MW solar PV power project. It is planned in N'Djamena, Chad. The project is currently in financed stage. It will be developed in multiple phases. Post ...

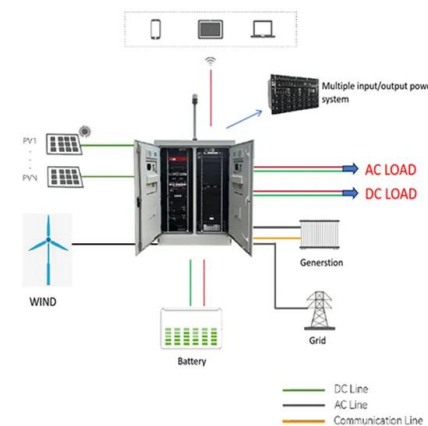


n djamena port energy storage battery manufacturing

Solar projects earmarked to support N''Djamena surrounds in Chad. Argentine conglomerate Alcaal Group has signed an MoU with Chad''s Ministry of Finance and Ministry of Energy for a 200MW solar ...

N djamena energy storage warehouse design

Also, the British company will work on one solar and one wind project, each of 100 MW, that will supply power to the capital city of N''''Djamena. A significant portion of this new capacity will benefit from ...



N djamena energy storage lithium battery

Lishen Battery 3.44MWh 20'' Air-cooled Container System. The PV Farm Energy Storage Station in N ''Djamena, Chad, is one of the key projects of clean energy cooperation between China





N DJAMENA PUYUAN ENERGY STORAGE TECHNOLOGY

The global solar storage container market is experiencing explosive growth, with demand increasing by over 200% in the past two years. Pre-fabricated containerized solutions now account for ...



Lithium battery parameters

Product capacity: 100Ah

Product size: 135*197*35mm

Product weight: 1.82kg

Product voltage: 3.2V

internal resistance: within 0.5



NEW ENERGY STORAGE REVOLUTION AT THE PORT OF N'DJAMENA

Solar Storage Container Market Growth The global solar storage container market is experiencing explosive growth, with demand increasing by over 200% in the past two years. Pre-fabricated ...

Contact Us

For catalog requests, pricing, or partnerships, please visit:
<https://folkowaakademiapianina.pl>