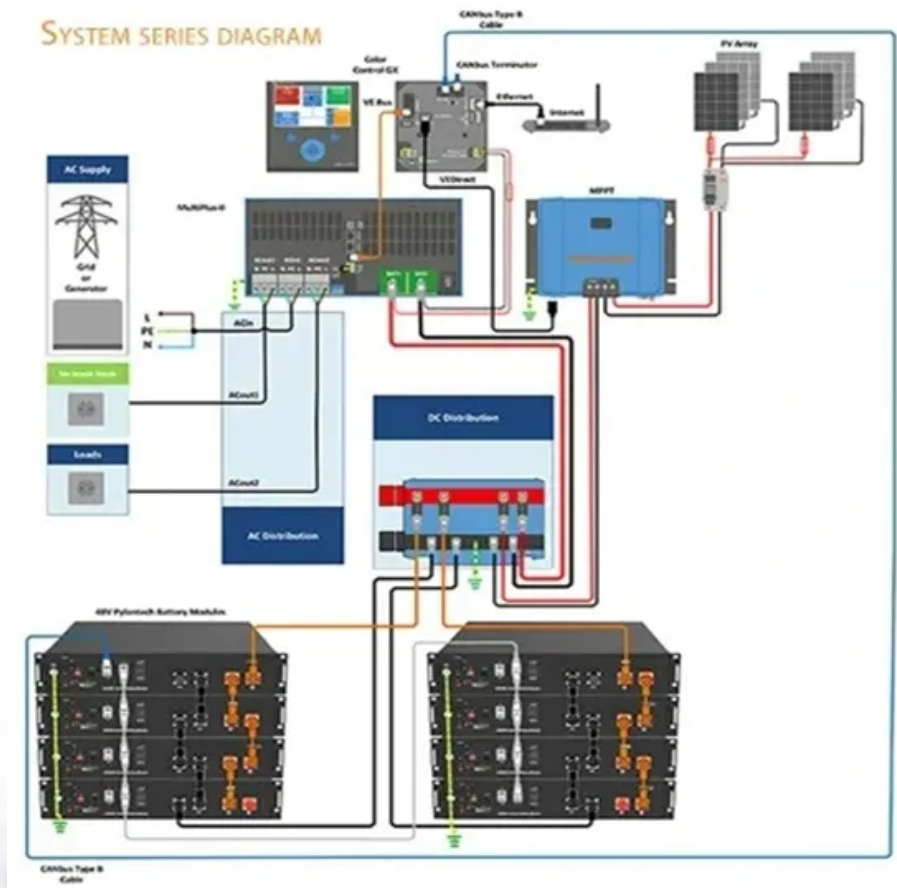


How to write an industrial design plan for solar container batteries





How to write an industrial design plan for solar container batteries



How to write an industrial design plan for solar container batteries

From innovative battery technologies to intelligent energy management systems, these solutions are transforming the way we store and distribute solar-generated electricity.

Writing a Business Plan for Lithium Ion Battery ...

What is a lithium ion battery manufacturing business plan? A lithium ion battery manufacturing business plan is a detailed document that outlines the strategies, ...



Specialized Solar Systems

Specialized Solar Systems Absolute Containers designs custom-made solar containers to suit client's requirements. Whatever the application we can assist, offering containerised solutions using solar ...

Battery Storage System Design: What Installers Need to Know

Learn how to design efficient battery storage systems with our expert guide. From battery selection to installation best practices, discover key insights for installers.



DESIGNING A BESS CONTAINER: A COMPREHENSIVE GUIDE TO ...

The Battery Energy Storage System (BESS) container design sequence is a series of steps that outline the design and development of a containerized energy storage system. This ...

How to write an industrial design plan for solar container batteries

About How to write an industrial design plan for solar container batteries As the photovoltaic (PV) industry continues to evolve, advancements in How to write an industrial design plan for solar ...



Contact Us

For catalog requests, pricing, or partnerships, please visit:
<https://folkowaakademiapianina.pl>