

Global electrochemical solar container in 2024

- ☑ High energy density and long cycle life
- ☑ Modular structure

- No need to replace the battery
- Shorter charging time
- Meets 99% EV car



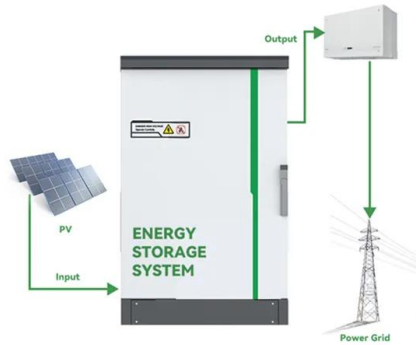


Overview

The global Solar Container market was valued at US\$ million in 2023 and is anticipated to reach US\$ million by 2030, witnessing a CAGR of % during the forecast period 2024-2030. China has implemented the Renewable Energy Law since 2006, in which Article 4 clearly states that, the State gives first. Growth is driven by the rising adoption of off-grid and hybrid power solutions, especially in remote, disaster-prone, and developing. SunContainer Innovations - Summary: This article explores the latest advancements in electrochemical energy storage systems, their applications across industries, and market growth projections. These containers are geared up with sun panels, inverters, batteries, and different important components to.



Global electrochemical solar container in 2024



Global Solar Container Market 2024 by Manufacturers, Regions, Type ...

Regionally, the report analyzes the Solar Container markets in key regions. North America and Europe are experiencing steady growth, driven by government initiatives and increasing consumer awareness.

Global Electrochemical Energy Storage Projects Key Trends and

Summary: Discover how global electrochemical energy storage projects are transforming industries like renewable energy, grid stability, and transportation. Explore real-world case studies, market data, ...



Solar Container

The global market for Solar Container was estimated to be worth US\$ million in 2023 and is forecast to a readjusted size of US\$ million by 2030 with a CAGR of % during the forecast period 2024-2030.

Distribution of electrochemical solar container power stations in my

Did China's electrochemical energy storage industry grow in 2024? China's electrochemical energy storage industry experienced significant growth in 2024, with installed capacity surging



past previous ...



ELECTROCHEMICAL SOLAR CONTAINER INSTALLATION ...

SunContainer Innovations - Summary: This article explores the latest advancements in electrochemical energy storage systems, their applications across industries, and market growth projections.



Global Solar Container Market 2024 by Manufacturers, Regions, Type ...

According to our (Global Info Research) latest study, the global Solar Container market size was valued at USD million in 2023 and is forecast to a readjusted size of USD million by 2030 with a CAGR of % ...



Solar Container Market Share, Growth, Future Prospects, Forecast to ...

Solar container market was valued at \$220.0 million in 2024 and is projected to reach \$2,148.3 million by 2035, growing at a CAGR of 23.0% during the forecast period (2025-2035).





Solar Container Market is expected to Grow with a CAGR of 20.49%

According to TechSci Research report, "Solar Container Market - Global Industry Size, Share, Trends, Competition Forecast & Opportunities, 2030F", the Solar Container Market was valued at USD 5.59 ...



12.8V 100Ah



Solar container Market: trends & opportunities 2035

The Global Solar Container Market is projected to grow at a CAGR of 11.3% from 2025 to 2035, driven by increasing demand for sustainable energy solutions and advancements in solar technology.

Solar Container Market Demand Makes Room for New Growth Story

The global solar container market refers to the enterprise involved in the manufacturing, distribution, and utilization of sun electricity solutions encapsulated inside shipping containers. These ...



Global Solar Container Market Research Report 2024

This report aims to provide a comprehensive presentation of the global market for Solar Container, with both quantitative and qualitative analysis, to help readers develop business/growth ...



Solar Container Market Size, Growth & Opportunity Overview ...

Download a free sample report to explore data scope, segmentation, Table of Content and analysis before you make a decision. The Solar Container Market was valued at USD 2.8 billion in ...

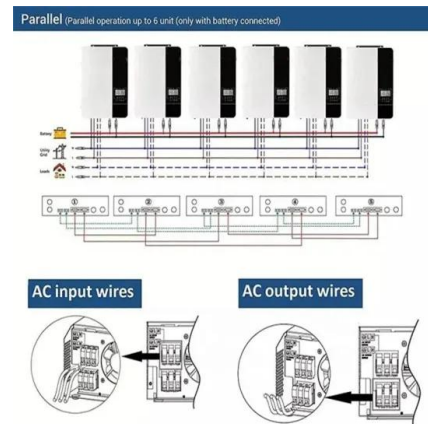


Solar container Market: trends & opportunities 2035

Solar Container Market Size was estimated at 435.35 (USD Billion) in 2023. The Solar Container Market Industry is expected to grow from 556.24 (USD Billion) in 2024 to 3950.49 (USD Billion) by 2032.

RESEARCH ON THE TREND OF ELECTROCHEMICAL SOLAR ...

Electrochemical components play a crucial role in storing energy to a?, Solar container market was valued at \$220.0 million in 2024 and is projected to reach \$2,148.3 million by 2035, growing at a ...



Solar Container

The global Solar Container market size is expected to reach US\$ million by 2029, growing at a CAGR of % from 2023 to 2029. The market is mainly driven by the significant applications of Solar Container in ...



Electrochemical Energy Storage Power Station Containers

Why Electrochemical Storage Containers Matter Now Imagine having a Swiss Army knife for energy management - that's essentially what modern electrochemical energy storage power station ...



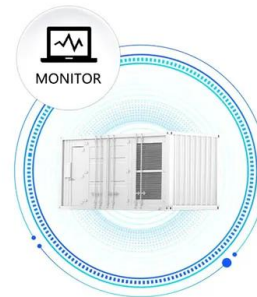
NEW FRONTIERS IN ELECTROCHEMICAL ENERGY STORAGE TECHNOLOGIES

The global solar storage container market is experiencing explosive growth, with demand increasing by over 200% in the past two years. Pre-fabricated containerized solutions now account for ...

Solar Container Market Size, Share and Growth Drivers 2030

The global Solar Container Market size was estimated at USD 0.22 billion in 2024 and is predicted to increase from USD 0.29 billion in 2025 to approximately USD 0.83 billion by 2030, expanding at a ...

SUPPORT REAL-TIME ONLINE MONITORING OF SYSTEM STATUS



Unraveling the Solar Container: Future of Renewable Energy

The current development status of the solar container is a subject of considerable interest and holds crucial insights into the potential it holds for the global energy sector. Currently, on a global ...



Navigating Tomorrow with Autonomous, Solar-Powered ...

November 27, 2024 Imagine a revolutionary vision of the maritime industry: autonomous, solar-powered container ships that blend cutting-edge engineering ...



ELECTROCHEMICAL SOLAR CONTAINER INSTALLATION ...

Electrochemical and other energy storage technologies have grown rapidly in China Global wind and solar power are projected to account for 72% of renewable energy generation by 2050, nearly a?, ...

CONTAINER SOLAR SYSTEMS

Solar Container Systems: Energy Revolution You know that feeling when your phone dies during a desert road trip? Now imagine entire communities facing that energy insecurity daily. Traditional grid ...



Solar Container Market Size, Market Assessment & Forecast 2033

Discover comprehensive analysis on the Solar Container Market, expected to grow from USD 1.5 billion in 2024 to USD 5.2 billion by 2033 at a CAGR of 15.5%. Uncover critical growth factors, market ...



Global Electrochemical Energy Storage in 2025: Trends, Innovations, ...

By 2025, global electrochemical energy storage is projected to become a \$62 billion industry, powering everything from your neighbor's rooftop solar panels to entire cities [1]. But why ...



Solar Container Market Demand Makes Room for New Growth Story

Ongoing advancements in solar technology, such as improved efficiency and durability of solar panels, are making solar containers more efficient and reliable, thus driving market growth.

Electrochemical solar container investors

What will energy storage be like in 2024? In 2024, the global energy storage is set to add more than 100 gigawatt-hours of capacity for the first time. The uptick will be largely driven by the growth in China, ...



Contact Us

For catalog requests, pricing, or partnerships, please visit:
<https://folkowaakademiapianina.pl>